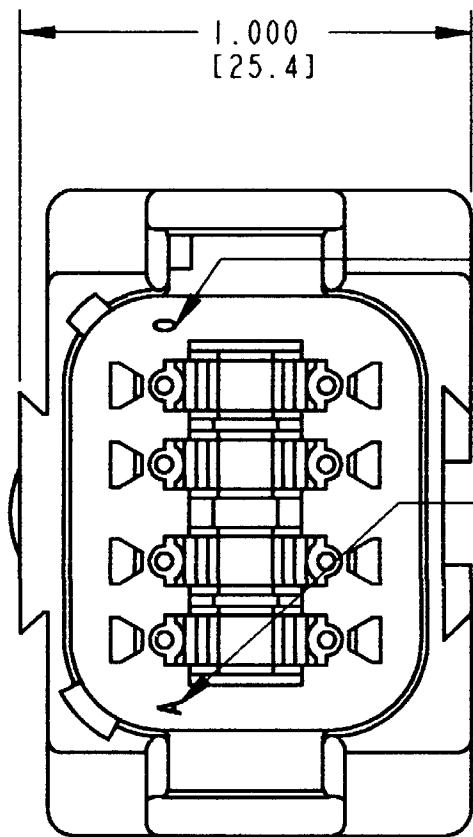


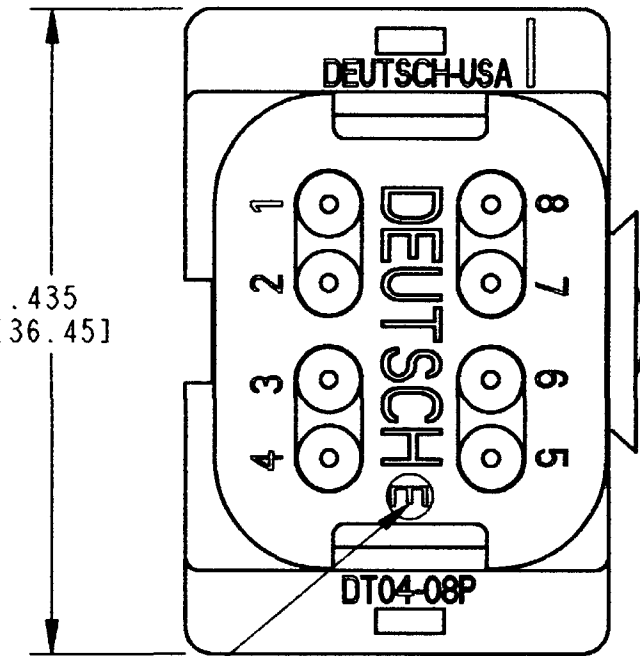
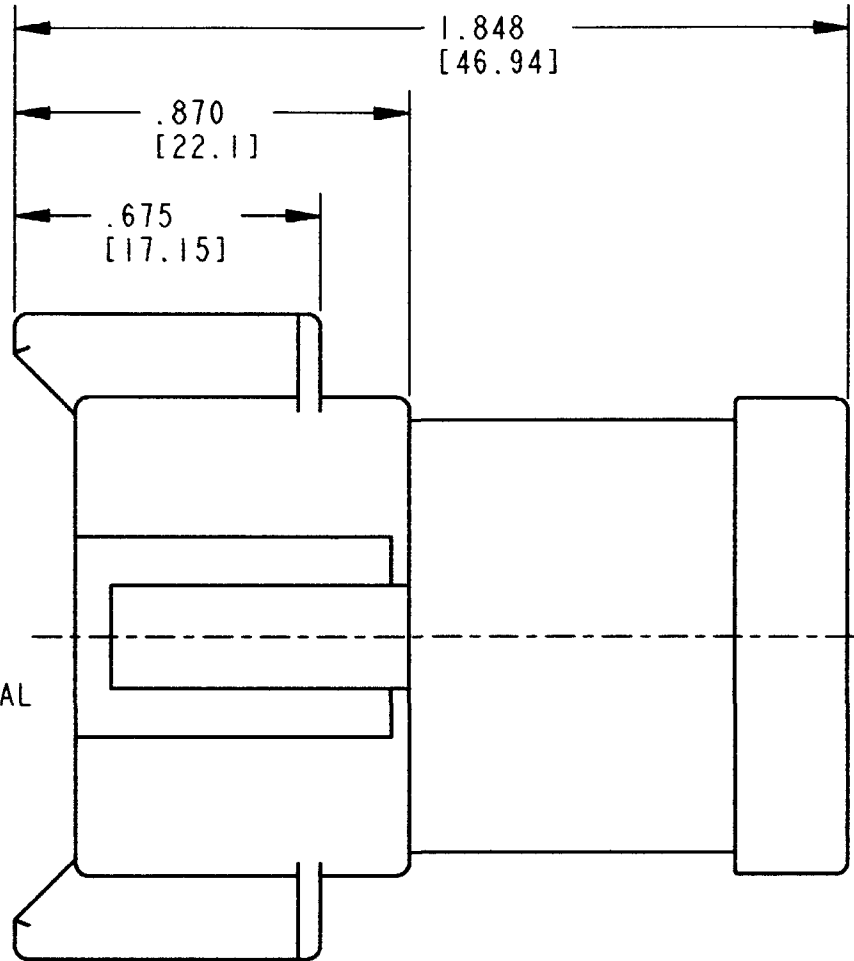
REV  
NC DT04-08P\*-CE01

REVISIONS			
SYM	DESCRIPTION	DATE	APPROVED
NC	REDRAWN / REPLACES PREVIOUS		
	RELEASE PER E.O. P19053	10-14-05	RBR



DATE CODE: YEAR IS REPRESENTED BY LAST NUMERICAL DIGITS  
EX: 0= 2000

DATE CODE: MONTH IS REPRESENTED BY SEQUENTIAL ALPHABETICAL CHARACTERS.  
EX: A= JANUARY



1.435 [36.45]

-E- DESIGNATES REDUCED WIRE DIAMETER.

5. MATERIAL: SHELL: PLASTIC; SEAL: RUBBER
4. THIS RECEPTACLE MATES WITH DT06-08S\*-\*\*\*\* PLUG (\* = A,B,C,D KEYS; \*\*\*\* = ALL MODIFICATION). CONSULT FACTORY FOR MODIFICATIONS.
3. FOR CONTACTS AND WIRE PERFORMANCE AND APPLICATION CHARACTERISTICS SEE ENVELOPE DRAWING 0425-015-0000 AND 0425-017-0000.
2. DIMENSIONS ARE ±.025 [0.63] UNLESS OTHERWISE SPECIFIED.
1. ALL DIMENSIONS ARE IN INCHES [MILLIMETERS].
- NOTES:

CONTACT SIZE	MIN. INSUL O.D.	MAX. INSUL O.D.	WIRE RANGE [mm <sup>2</sup> ] REF. ONLY
16	.053 [1.35]	.120 [3.05]	14-20 AWG [2.0-0.5]

SIGNATURE & DATE	
DR	A. MALAGON 19SEP05
CHK	<i>[Signature]</i> 10/12/05
PE	<i>[Signature]</i> 10/12/05
APPD	<i>[Signature]</i> 10-12-05
SCALE	NONE
WT	

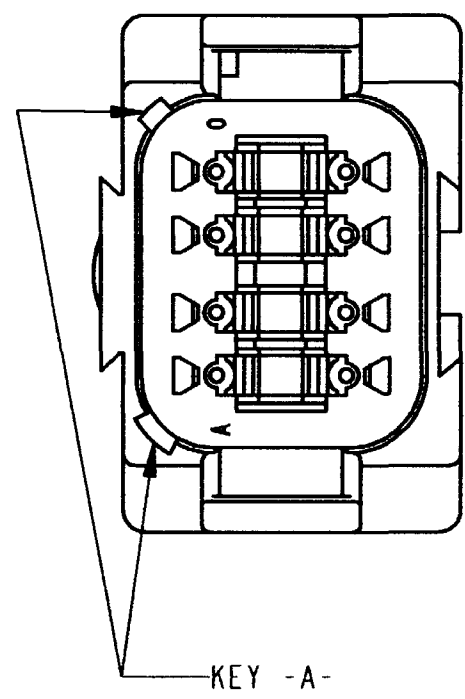
8 WAY RECEPTACLE  
W/ REDUCED DIA. WIRE  
AND END CAP  
-CE01 MOD.  
DT SERIES

ENVELOPE

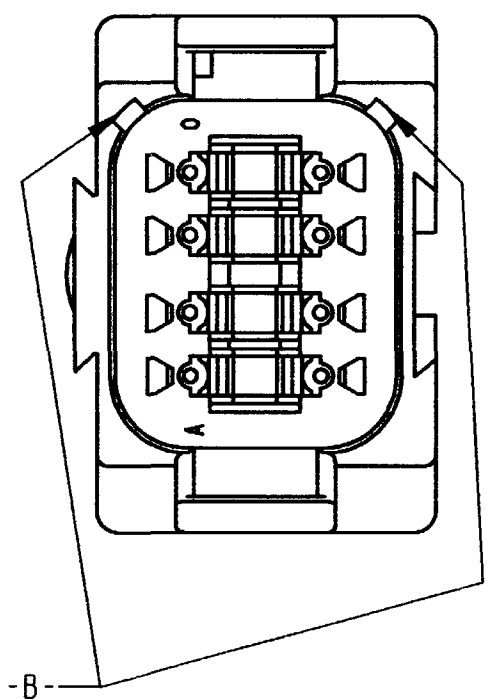
CP	MATL. CODE
<b>The Deutsch Company</b> DEUTSCH I.P.D. 3850 INDUSTRIAL AVE. HEMET, CALIF. 92545	
<b>B</b>	<b>DT04-08P*-CE01</b>
DWG SIZE	CODE 11139 SHEET 1 OF 2

REV	DT04-08P*-CE01	REVISIONS				
NC		SYM	DESCRIPTION	DATE	APPROVED	
		NC		REDRAWN / REPLACES PREVIOUS		
				RELEASE PER E.O. PI9053	10-14-05	ADR

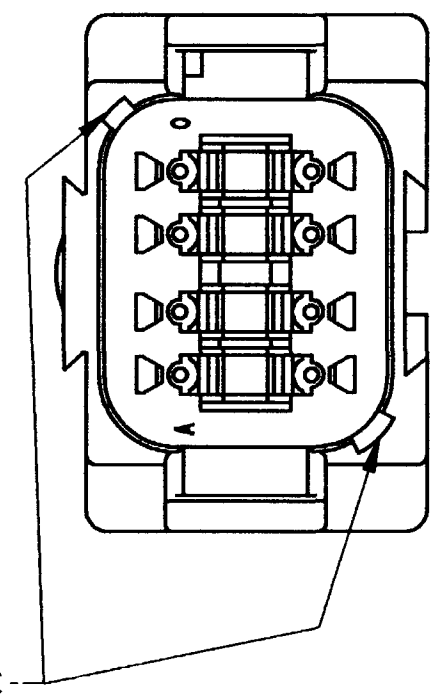
PART NO.  
DT04-08PA-CE01  
KEY ARRANGMENT -A-  
COLOR: GRAY



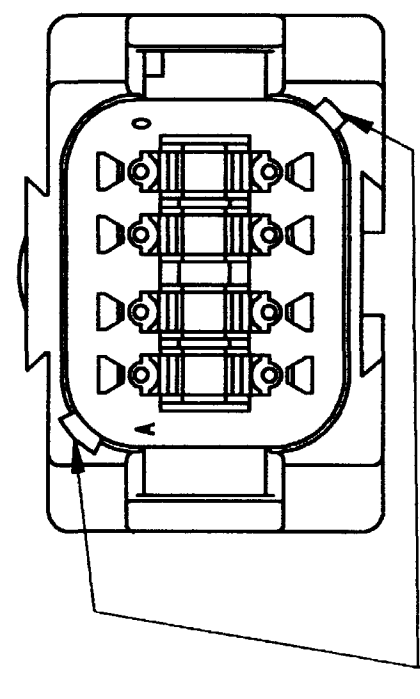
PART NO.  
DT04-08PB-CE01  
KEY ARRANGMENT -B-  
COLOR: BLACK



PART NO.  
DT04-08PC-CE01  
KEY ARRANGMENT -C-  
COLOR: GREEN



PART NO.  
DT04-08PD-CE01  
KEY ARRANGMENT -D-  
COLOR: BROWN



NOTES:

SIGNATURE & DATE		8 WAY RECEPTACLE W/ REDUCED DIA. WIRE AND END CAP -CE01 MOD. DT SERIES	CP	MATL. CODE
DR	A. MALAGON 19SEP05		The Deutsch Company	
CHK	<i>Janil Lopez 10/12/05</i>		DEUTSCH I.P.D. 3850 INDUSTRIAL AVE. HEMET, CALIF. 92545	
PE	<i>George Johnson 10/12/05</i>		B DT04-08P*-CE01	
APPD	<i>Blund 10-12-05</i>	ENVELOPE	DWG SIZE	CODE 11139
SCALE	NONE	WT	SHEET 2 OF 2	